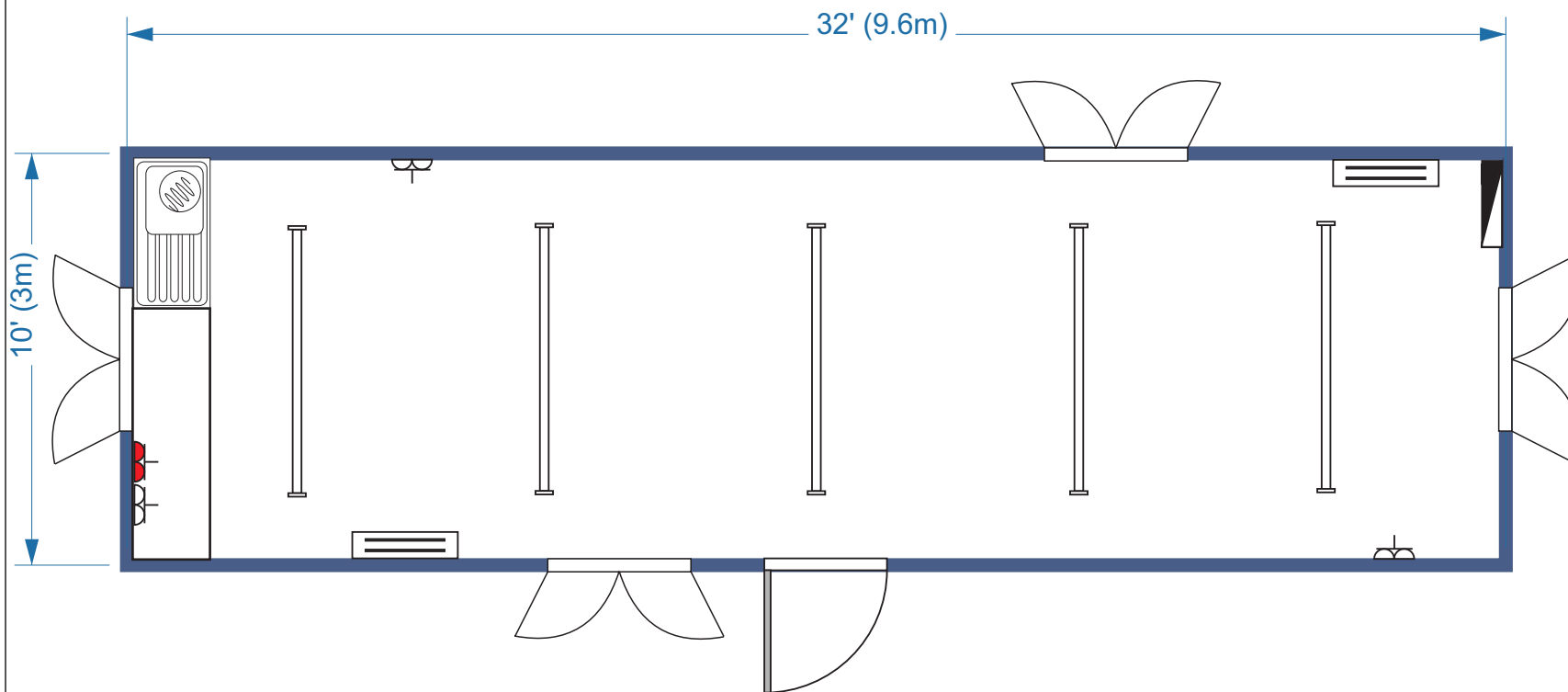


ANTI-VANDAL UNIT

Size
32' x 10' / 9.6m x 3m

Layout:
CANTEEN



	- DOOR
	- WINDOW
	- LIGHT SWITCH
	- PULL CORD
	- TWIN SOCKET
	- HIGH LEVEL SOCKET
	- STRIP LIGHT
	- CAT 2 LIGHT
	- BULKHEAD
	- JACKLEG
	- FUSE BOARD
	- 2KW CONVECTOR HEATER
CW	- COLD-WATCHER HEATER
DF	- DOWN-FLOW HEATER
EXT	- EXTRACTOR FAN
	- SINK & HOT WATER HEATER
	- WORKTOP
	- TOILET
	- HAND BASIN
	- TOILET ROLL HOLDER
	- DOUBLE LEAF SHUTTERS

Please note: Cabin not drawn to scale

- Flat-sided steel external construction, finished in grey
- 1No. external outward opening steel door with integrated locks and keys
- 4No. double glazed windows with privacy film & steel double leaf shutters

- Flooring is hard wearing grey polyflor vinyl over steel joists
- Internal walls and ceiling are finished in vinyl faced plywood
- Full heat, light via mains fuse board

LAYOUT APPROVAL

COSTS OR TIME DELAYS DUE TO LAYOUT CHANGES SUBSEQUENT TO LAYOUT APPROVAL WILL BE CHARGEABLE TO THE CUSTOMER. ORDER WILL NOT BE CONFIRMED UNTIL SIGNED DRAWING IS RECEIVED.

SIGN _____